



LED PAR CAN

LED PAR CAN renders vivid and colorful changing effect in the stage. Kupo's LED PAR is build up with PAR-64 sturdy textile of barrel and equipped with high power RGB LED, making it the ideal choice and catering to the entertainment requirement. Standard finish is black while white or other color is available for special request. In addition to the version with RGB color mixing, fixed color LED PAR CAN including 3,200K warm white and 6,200K cool white are also available. An unique design on daisy chain power is set to offer simple and convenient access to the electricity; up to 10 units of LED PAR can be put together for power linkup.



for sound active effect



heat sink for better ventilation



for master & slave



fixed spring set



LED PAR CAN

Item No. ZPL-64/36-3

Voltage: AC 100-240V/ 50-60Hz

Power Consumption: 120W

LED Unit: 36pcs * 3W LEDs (Red 12pcs/ Green 12pcs/ Blue 12pcs)

Beam Angle: 10/25/45/60 degree optional

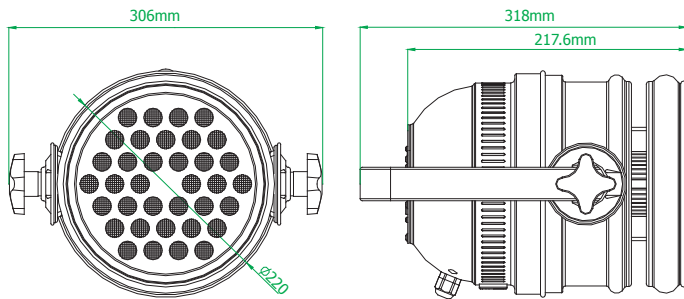
DMX Channel: 5 & 6 channels

Control: DMX 512/ Master & Slave

Effect: RGB mixed color, dimming mode, flash, color changing, color fading and sound active

Working Environment: Indoor -20~50 degree C

Net Weight: 2.95kg



ZPL-64/36-3

Item No. ZPL-64/18-3

Voltage: AC 100-240V/ 50-60Hz

Power Consumption: 72W

LED Unit: 18pcs * 3W LEDs (3-in-one)

Beam Angle: 10/25/45/60 degree optional

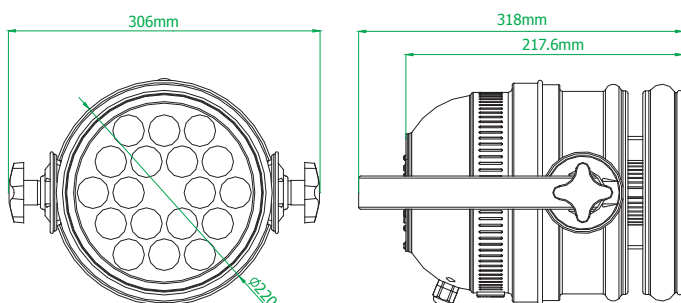
DMX Channel: 5 & 6 channels

Control: DMX 512/ Master & Slave

Effect: RGB mixed color, dimming mode, flash, color changing, color fading and sound active

Working Environment: Indoor -20~50 degree C

Net Weight: 2.90kg



ZPL-64/18-3